

MULTIPURPOSE TRAY TROLLEY



USEFUL FOR

Food

Pharma

Plastic

Hotel

Hospital

Electronic

Engineering

Warehouses

INDUSTRIES

1 Strong & Smart

Apex Heavy Duty trolley is built with strong body and smartly designed to look attractive.

2 Smooth Operation

These trolleys are designed to offer a very smooth and easy operation to the user.

3 Adjustable Shelves

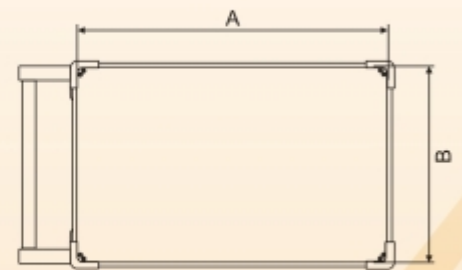
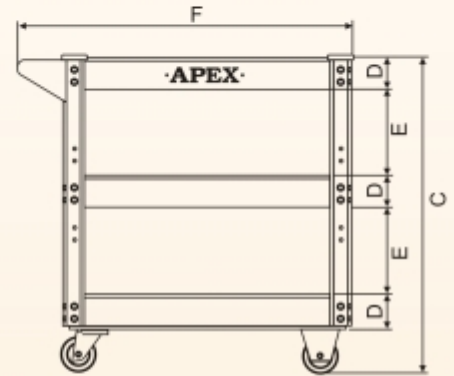
The multipurpose tray trolley has adjustable tray design which is easy to use for big and small items.

Apex introduces Tray Trolley, a new addition in their series of trolleys. It can be used for general purposes. It's convenient to use it in food, pharma, plastic, electronic, hotel, hospital, engineering industries or warehouses as per the requirements.

This trolley is made by bending a metal sheet and its finishing touch is given by applying powder coating that enhances its look and prevent it from rust. It is totally foldable and can be fitted in 3 or 4 trays according to the individual's need. Please ensure, that this trolley would be used on plane surfaces and indoor areas for which it is suitable.



Adjustable Shelves Design



SPECIFICATIONS

CODE	A	B	C	D	E	F	WHEEL SIZE	WHEELS OPTIONS	WEIGHT	LOAD CAPACITY	COLOUR
TT1/PU	610	380	720	70	200	730	75x32	Swivel & 2 Fixed with Polyurethane Wheel	18.5 kg	80 kg	Orange
TT1/NY	610	380	720	70	200	730	75x32	Swivel & 2 Fixed with Nylon Wheel	18.5 kg	80 kg	Orange
TT2/PU	740	485	880	65	270	860	100x32	Swivel & 2 Fixed with Polyurethane Wheel	24 kg	120 kg	Orange
TT2/NY	740	485	880	65	270	860	100x32	Swivel & 2 Fixed with Nylon Wheel	24 kg	120 kg	Orange
TT3/PU	870	570	960	108	235	990	125x32	Swivel & 2 Fixed with Polyurethane Wheel	35 kg	160 kg	Orange
TT3/NY	870	570	960	108	235	990	125x32	Swivel & 2 Fixed with Nylon Wheel	35 kg	160 kg	Orange

AUTHORISED DEALER: